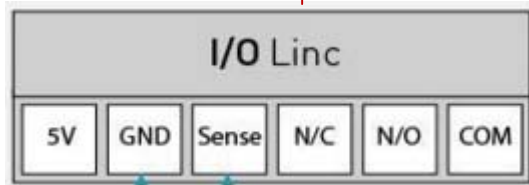
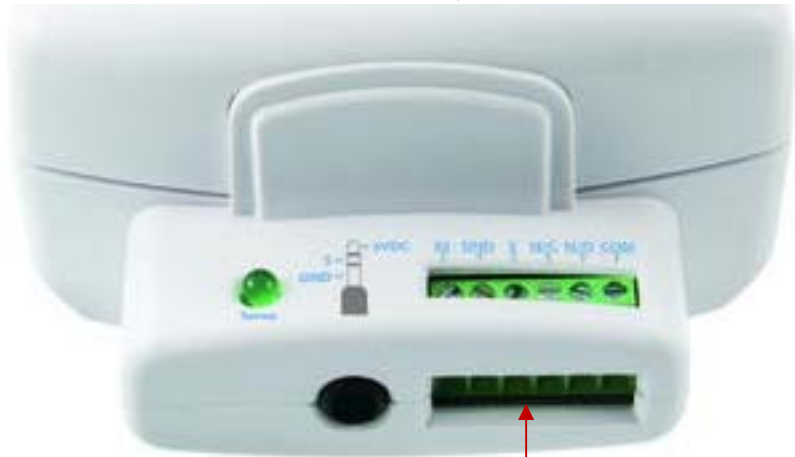
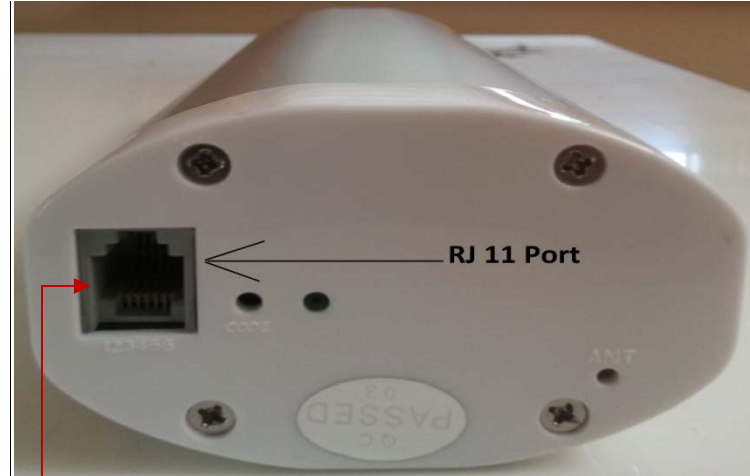


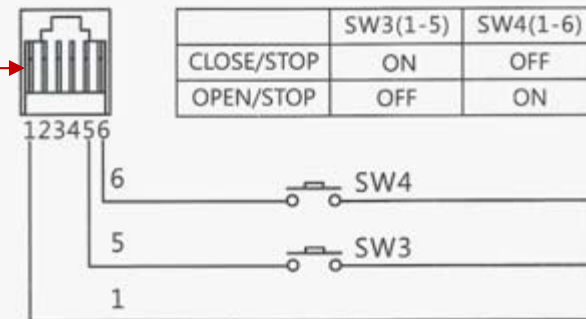
Insteon 2450 Low Voltage Contact Closure



CL-920A or CL-920C3 Motor



1/2 control logic



### Connection between them

- N/C = Pin 5
- N/O = Pin 6
- COM = Pin 1

As shown in the next pages

## CL-920 Series INSTEON Home Automation Connections

